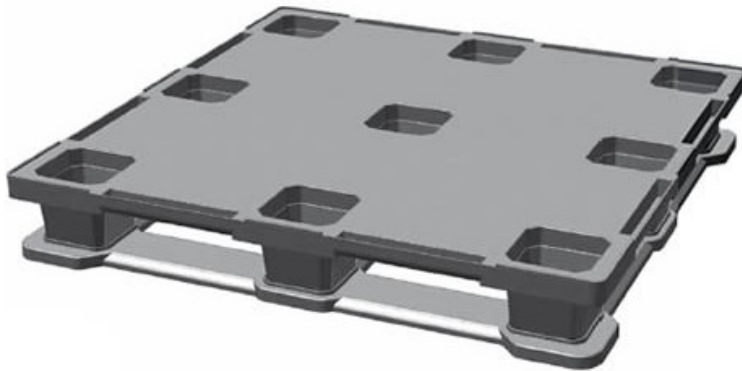


44 x 44 Container Plastic Pallet with Solid Deck N426C ACM and N426C PE



FEATURES

- ACM pallets are most suitable as light handling and export or one way pallets
- PE pallets are manufactured for longer term multi-trip shipping and is easy to clean
- Allows for safe double stacking
- Low-cost plastic pallet
- Cubes Out shipping containers to save costs
- Designed for Super Sack® & drum loads
- Impervious to acids, fats, solvents & odors
- Resists water absorption & bacteria growth
- Inert to infestation, mold & mildew
- Consistently dimensional accurate
- Exempt from ISPM 15 shipping regulation
- Bottom support: snap on cruciform perimeter base
- Exempt from ISPM 15 shipping regulation

Model	N426C ACM	N426C PE
Entry	4-Way	4-Way
Length	44.0 in.	44.0 in.
Width	44.0 in.	44.0 in.
Height	6.4 in.	6.4 in.
Static Load	17,600 lbs	17,600 lbs
Dynamic Load	3,000 lbs	3,000 lbs
Racking Capacity	1,300	1,300 lbs
Weight	38.5 lbs	33.0 lbs
Material	ACM-Recycled	Recycled HDPE
Bottom Deck	Snap-on cruciform perimeter base	Snap-on cruciform perimeter base



Distributed by:
TMF Corporation
850 West Chester Pike, Suite 303
Havertown, Pennsylvania 19083-4442

Phone: 866-713-9446
Fax: 610-789-5168
E-mail: info@tmfcorporation.com

